

Steel ball valve, High stress, Pre-insulated, class 2, 2 Service valves - DN25-400, PN25

Type 67102 / 87042 - Reduced bore

Welding x Welding

Pre-insulated fully welded steel ball valve for underground service acc. to EN488, with two DN40 service valves.

Materials

See page 3.

Applications

Isolating valve for heating systems, district heating, cooling and industrial purposes.

Media

Water, air and other media not decomposing the steel. If in doubt, please contact BROEN Ballomax® Sales Department.

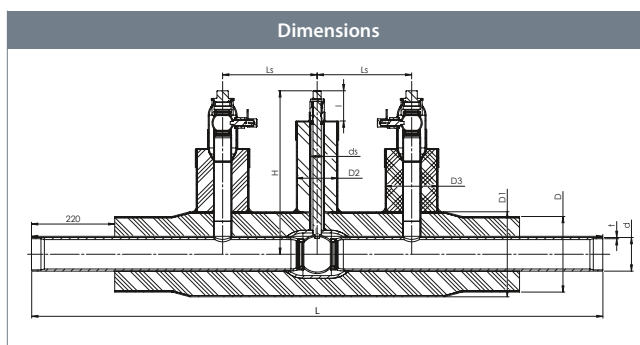
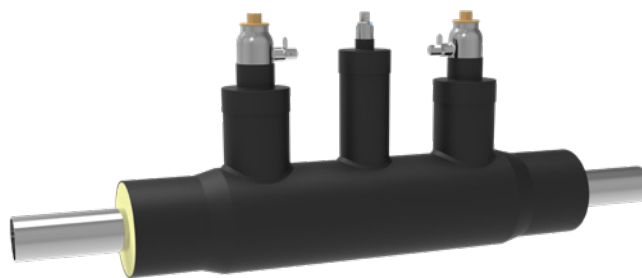
Operation

The following operating devices are available to order:

- Universal allen key
- Mobile actuator for DN100-350
- Planetary gear for DN100-400

Approvals and certificates

BROEN is certified according to ISO 9001 and environmentally certified according to ISO 14001. BROEN Ballomax® is approved according to the requirements of Pressure Equipment Directive (PED). The 3.1 certificate is available upon request.



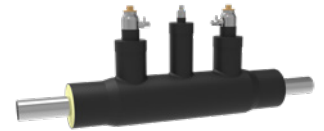
Notice

Valves operated with gear for DN150-400. All pre-insulated ball valves are delivered with alarm wire. Outlet for alarm available on request.







DN	BROEN No.	Bore	Kvs	net Weight kg	All dimensions in mm											
					L	H	d	t	D	D1	D2	D3	ds	l	Ls	Hx
25*	67102025 0092	20	27	10	1510	480	33.7	2.6	110	140	110	110	38.0	80	250	19
32*	67102032 0092	25	40	12	1510	485	42.4	2.6	125	160	110	110	38.0	80	250	19
40	67102040 0092	32	69	20	1510	493	48.3	2.6	125	160	110	140	38.0	80	250	19
50	67102050 0092	40	110	23	1510	500	60.3	2.9	140	180	110	140	38.0	80	250	19
65	67102065 0092	50	180	27	1510	505	76.1	2.9	160	200	110	140	38.0	80	250	19
80	67102080 0092	65	288	33	1510	515	88.9	3.2	180	225	110	140	38.0	80	250	19
100**	67102100 0092	80	470	48	1510	525	114.3	3.6	225	280	125	140	57.0	85	250	27/70
125**	67102125 0092	100	699	60	1510	545	139.7	3.6	250	315	125	140	76.0	105	250	27/70
150**	67102150 0092	125	1046	87	1510	565	168.3	4.0	280	355	140	140	76.0	105	265	27/70
200***	67102200 0792	150	1500	125	1510	585	219.1	4.5	355	450	140	140	76.0	130	265	50/90
250***	8704225250 0792	200	3200	204	1510	613	273.0	5.0	450	500	160	140	101.6	138	245	50/90
300***	8704225300 0792	250	4700	323	1810	664	323.9	5.6	500	560	160	140	101.6	140	295	50/90
350***	8704225350 0792	250	5500	-	1810	664	355.6	5.6	560	630	160	140	101.6	140	300	50/90
400***	8704225400 0792	305	10600	-	1810	793	406.4	6.3	630	710	225	140	133.0	190	350	Ø60

* Delivered with two DN25 service valves (Ø33,7). Vales *can / **should be operated with gearbox.

Steel ball valve, High stress, Pre-insulated, class 2, 2 Service valves - DN25-400, PN25



Type 67102 / 87042 - **Reduced bore**

Accessories	BROEN No.	Dimension	Description
	3723S60		Universal allen key for both isolating and service valves.
	66361100 060	DN100-150	BROEN-Gear - Mobile actuator.
	66361250 070	DN200-350	
	66062020S314200 (0,5 m)	DN25-80	Flex extender - Steel + PVC proction tube - also available in 1,0 mtr and 2,0 mtr - see accessories, can be shortened as needed.
	66062020S314300 (0,5 m)	DN80-125	
	66062150S314000 (0,5 m)	DN100-150	Flex extender - Steel + Stainless steel proction tube - also available in 1,0 mtr and 2,0 mtr - see accessories, can be shortened as needed.
	66062250S314000 (0,5 m)	DN200-350	
	1897S02	DN20-80	Square adaptor plug for mounting on hexagon.
	1903S02	DN100-150	
	500249	DN100-150	BROEN-Gear - Planetary gear.
	3/PP06001KS02	DN200-350	
	3/PP05002KS02	DN400	

Steel ball valve, High stress - DN25-100, PN25

Type 67102 - Reduced bore

Welding × Welding

Fully welded steel ball valve for underground service acc. to EN488.

Materials

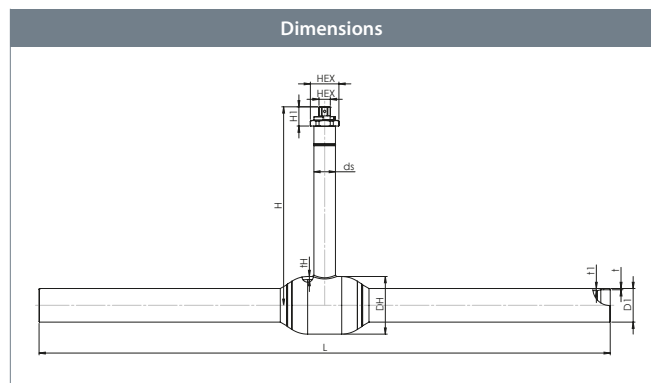
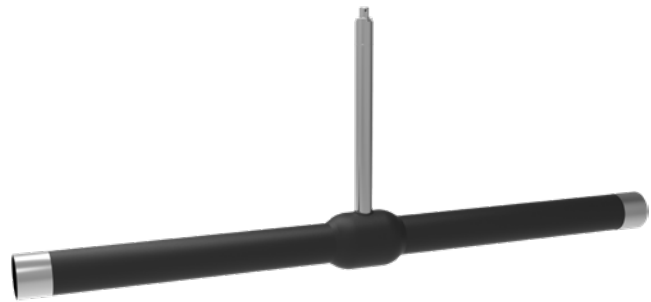
See next page.

Applications

Isolating valve for heating systems, district heating, cooling and industrial purposes.

Media

Water, air and other media not decomposing the steel. If in doubt, please contact BROEN Ballomax® Sales Department.



DN	BROEN No.	Bore	Kvs	net Weight kg	All dimensions in mm									
					L	H	H1	D1	t	t1	DH	tH	ds	HEX
25	67102025S696800	20	27	5.6	1510	480.0	29.0	33.7	2.6	4.0	51.0	5.0	38.0	19.0
32	67102032S696900	25	40	6.7	1510	485.0	29.0	42.4	3.2	4.0	57.0	5.6	38.0	19.0
40	67102040S697000	32	69	12.7	1510	495.0	29.0	48.3	3.2	5.6	76.1	5.6	38.0	19.0
50	67102050S697100	40	110	14.3	1510	500.0	29.0	60.3	3.2	5.0	88.9	6.3	38.0	19.0
65	67102065S697200	50	180	19.0	1510	505.0	29.0	76.1	3.2	5.0	108.0	6.3	38.0	19.0
80	67102080S604000	65	288	25.5	1510	515.0	29.0	88.9	3.2	5.6	127.0	7.1	38.0	19.0
100	67102100S604100	80	470	37.0	1510	525.0	29.0	114.3	3.6	6.3	152.4	8.0	57.0	27/70