

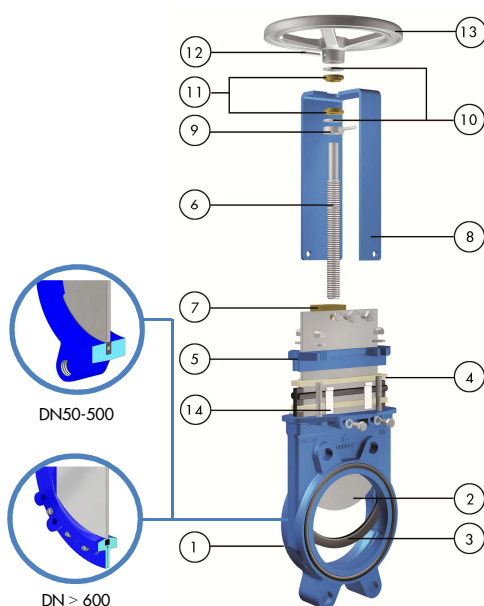
The EB model knife gate valve is a bi-directional wafer type valve designed for general industrial service applications. The design of the body and the seat assures non-clogging shut off on suspended solids in various industries such as Wastewater Treatment Plants, Food and Beverage, Chemical Plants, Sludge Handling and Storm Tanks, Agriculture and Biogas Plants

Product description:

- Bi-directional wafer type knife gate valve
- Size range of DN50-1200 (larger sizes upon request). See Dimension Charts for pressure rating
- Non-rising stem as standard. Rising stem also available
- Standard flange connection: DIN (EN 1092-2) PN10. Others available upon request
- Manual (handwheel, chainwheel, lever and bevel gear), pneumatic (single and double-acting), electric and hydraulic actuation options available
- Directives: 2006/42/EC (MACHINES), 2014/68/EU (PED) Fluid: Group 1(b), 2 (Cat. I. mod. A) and 2014/34/EU (ATEX)

Features:

- Wafer monoblock cast design up to DN 500 with special seal housing machining for a perfect adjustment of the body with the gate and the seal, reducing the operation torque, maintaining tightness and avoiding any build-up
- Two-part bolted body design from DN 600 and above
- Full port design for greater flow capacity and minimal pressure drop
- Suitable for dead-end service up to DN 500 to the full rating
- Stainless steel gate polished both sides to avoid jamming and seat damage
- Standard EPDM seat with metallic core
- Long life PTFE impregnated synthetic fibre plus EPDM o-ring packing with easy access and adjustable gland follower. Wide range of packing materials available
- RAL-5015 blue epoxy-coating on all cast iron/carbon steel components
- Automated valves provided with gate guards in accordance with EU Safety Standards
- Other options: V-ports, special materials, fabricated valves, etc.
- Actuation accessories: limit & proximity switches, mechanical stops, positioners, solenoid valves, manual overrides, locking devices, fail safe systems, stem extensions and floor stands

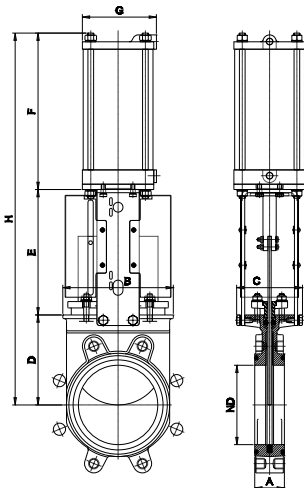
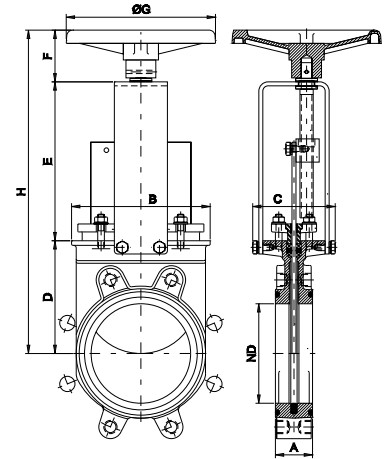


STANDARD PARTS LIST

Part:	Materials:
1 Body	GJL 250 (GG25) / GJS 400 (GGG40)
2 Gate	AISI 304 (1.4301)
3 Seat	EPDM /Nitrile
4 Packing	PTFE impreg. synth. fibre and EPDM O-ring
5 Gland Follower	GJS400 (GGG40)
6 Stem	Stainless Steel
7 Stem Nut	Brass
8 Yoke	Carbon steel - Epoxy coated
9 Axial Fixing Bush	AISI 304 (1.4301)
10 Friction Washer	PET + solid lubricant
11 Bushing	Bronze
12 Spring Pin	AISI 420 (1.4021) (ISO 8752)
13 Handwheel	DN≤310: Al (AISI12); DN≥410 GJS400 (GGG40)
14 Slider (up to DN300)	Nylon

DIMENSIONS (mm) Handwheel Non Rising Stem

DN	Pressure	A	B	C	D	E	F	ØG	H	Weight (kg.)
50	16 bar	43	113	124	105	144	63	225	312	8
65	16 bar	46	128	124	115	161	63	225	339	9
80	16 bar	46	143	124	124	177	63	225	364	10
100	16 bar	52	162	124	140	202	63	225	405	12
125	16 bar	56	181	124	150	226	63	225	439	15
150	10 bar	56	209	124	170	252	63	225	485	17
200	10 bar	60	263	142	205	317	73	310	595	30
250	10 bar	68	315	142	250	372	73	310	695	42
300	6 bar	78	370	142	290	422	73	310	785	60
350	6 bar	78	420	197	325	509	98	410	932	90
400	6 bar	102	478	197	360	559	98	410	1017	140
450	5 bar	114	530	201	410	611	98	550	1119	185
500	4 bar	127	584	201	450	671	98	550	1219	204
600	4 bar	110	762	201	510	771	98	550	1379	230



DIMENSIONS (mm) Pneumatic Actuator (D/A)

DN	Pressure	A	B	C	D	E	F	G	H	Weight (kg.)	Standard Cyl.	Connect.
50	16 bar	43	113	124	105	129	178	115	412	9	C100/62	1/4" G
65	16 bar	46	128	124	115	146	193	115	454	10	C100/77	1/4" G
80	16 bar	46	143	124	124	162	211	115	497	11	C100/95	1/4" G
100	16 bar	52	162	124	140	187	231	115	558	13.5	C100/115	1/4" G
125	16 bar	56	181	124	150	211	271	140	632	19	C125/143	1/4" G
150	10 bar	56	209	124	170	237	296	140	703	22	C125/168	1/4" G
200	10 bar	60	263	142	205	309	358	175	872	47	C160/220	1/4" G
250	10 bar	68	315	142	250	364	428	220	1042	58	C200/270	3/8" G
300	6 bar	78	370	142	290	414	478	220	1182	84	C200/320	3/8" G
350	6 bar	78	420	197	325	500	549	277	1374	130	C250/351	3/8" G
400	6 bar	102	478	197	360	550	599	277	1509	181	C250/401	3/8" G
450	5 bar	114	530	201	410	598	680	382	1688	235	C300/448	1/2" G
500	4 bar	127	584	201	450	658	730	382	1838	302	C300/498	1/2" G
600	4 bar	110	762	201	510	758	830	382	2098	315	C300/588	1/2" G
700	2 bar	110	890	380	601	875	985	444	2461	480	C350/693	3/4" G
800	2 bar	110	1012	320	695	974	1035	444	2704	585	C350/790	3/4" G

DIMENSIONS (mm) Electric Actuator Rising stem

DN	Pressure	A	B	C	D	E	F	ØG	H	I	J	L	M	Stem Ø x pitch	Torque (Nm)
50	16 bar	43	113	124	105	129	377	160	532	265	249	62	238	20 x 4	10
65	16 bar	46	128	124	115	146	404	160	600	265	249	62	238	20 x 4	10
80	16 bar	46	143	124	124	162	429	160	674	265	249	62	238	20 x 4	10
100	16 bar	52	162	124	140	187	470	160	665	265	249	62	238	20 x 4	10
125	16 bar	56	181	124	150	211	504	160	700	265	249	62	238	20 x 4	15
150	10 bar	56	209	124	170	237	550	160	1120	265	249	62	238	20 x 4	20
200	10 bar	60	263	142	205	309	657	160	1237	265	249	62	238	24 x 5	30
250	10 bar	68	315	142	250	364	757	160	1337	265	249	82	238	24 x 5	45
300	6 bar	78	370	142	290	414	847	160	1427	265	249	62	238	24 x 5	40
350	6 bar	78	420	197	325	500	955	200	1535	283	254	65	248	36 x 6	70
400	6 bar	102	478	197	360	550	1040	200	1620	283	254	65	248	36 x 6	90
450	5 bar	114	530	270	410	598	1129	200	1724	283	254	65	248	36 x 6	110
500	4 bar	127	684	270	450	658	1238	200	1833	283	254	65	286	36 x 6	95
600	4 bar	110	762	270	503	758	1376	315	2093	389	336	91	285	36 x 6	140
700	2 bar	110	890	380	610	875	1660	315	2800	389	336	91	286	40 x 7	120
800	2 bar	110	1012	320	700	979	1849	315	2989	389	336	91	286	50 x 8	180
900	2 bar	110	1112	320	785	1115	2085	315	3225	389	336	91	286	50 x 8	220
1000	2 bar	110	1200	320	1120	1225	2515	400	3670	389	339	91	286	50 x 8	300
1200	2 bar	150	1470	450	1340	1485	3011	500	4430	430	365	200	330	60 x 9	480

