

Series 32

Mounting Pad 3-Piece

Full Port Ball Valves

1/4" – 2" (DN8 – DN50)

1000 psi (PN64)

2 1/2" – 4" (DN65 – DN100)

800 psi (PN40)



Ball Valve Feature Mounting Pad

DIE ERSTE's Series 32 ball valves provide the 3-piece design with the highest flexibility in selection of end connections and seat materials. The 3-piece design features in-line and out-of-line maintenance as the center section can be easily accessed without disturbing the pipe connections. Integrally ISO 5211 cast mounting pads ensure alignment and convenience for ease automation with the bracket and adaptor. All of these valves are suitable for applications requiring high flow capacity and tight shutoff, where reliability, functionality and interchangeability are essential for the product quality at an economical price.

Mounting Pad

The integrally cast mounting pad, complying with ISO 5211 standard, ensures the ease for actuator mounting.

Ease of Maintenance

The center section can swing out after removing the body bolt which goes through the body hinge, loosen the remaining bolts, eliminating the need to cut a valve out of line and having to replace both the valve and the pipe.

Pressure Rating:

1000 psi (PN64)
800 psi (PN40)
150 psi (10 bar) with saturation steam

Temperature Range:

-4°F to 350°F (-20°C to 180°C) with PTFE/RPTFE seats

Body Material:

ASTM CF8M, CF8, WCB
(DIN 1.4408, 1.4308, 1.0619)

End Connection:

Threaded
Butt-welding
Socket-welding
Custom-build

CE Marking

The whole series of ball valves are approved according to European Directive 2014/68/EU.

Standards and Specifications

Valve stems are blowout-proof for maximum safety and meet ASME/ANSI B16.34 specifications.

All valves are factory tested to API 598 and MSS SP-72.

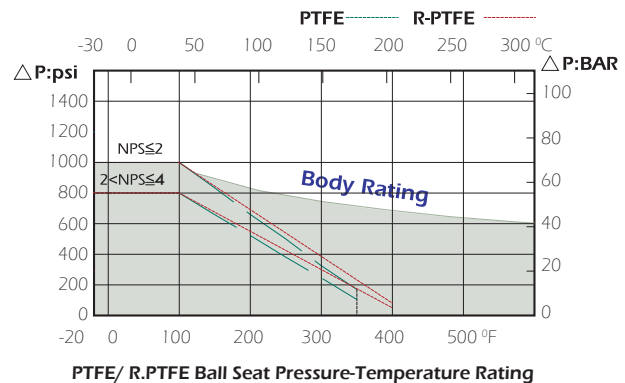
Threaded/Socket-welding end-to-end length meets
DIN 3202 M3 (except 1/4" & 1/8")

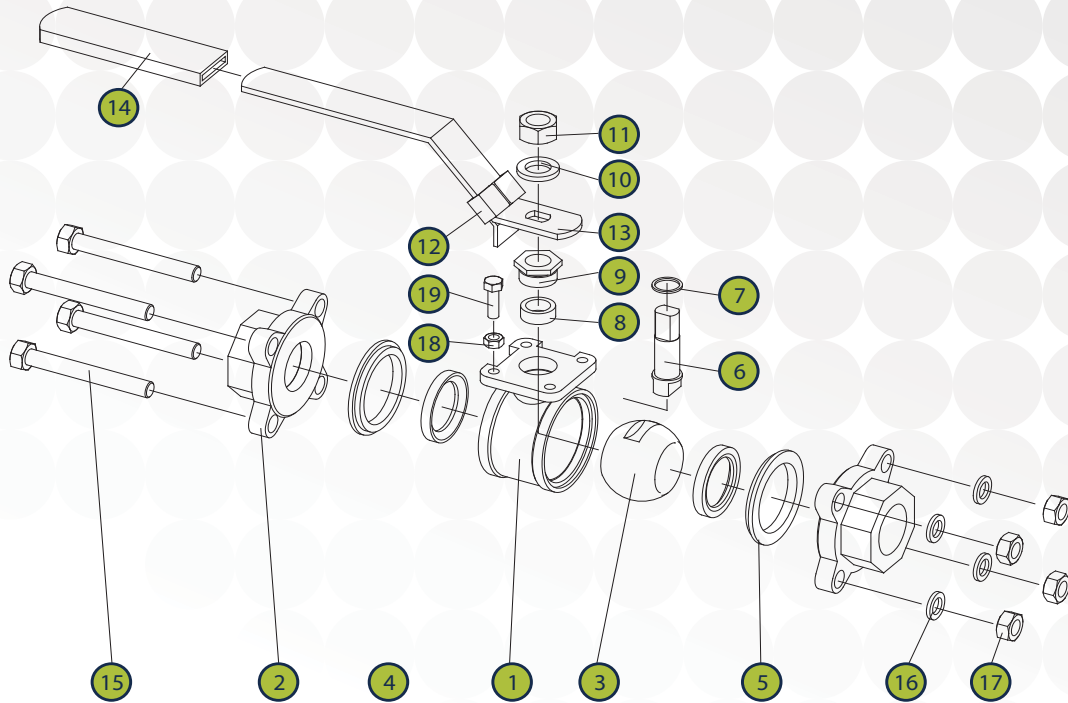
Socket-welding end-to-end length meets
DIN 3202 S13

Sanitary Clamp End Dimension is according to
BS 4825-3

Valve body and end cap connections are high quality investment cast. Both materials of stainless steel and carbon steel can be solution annealed and normalized upon requests. Body and end cap is based designed by ASME B16.34.

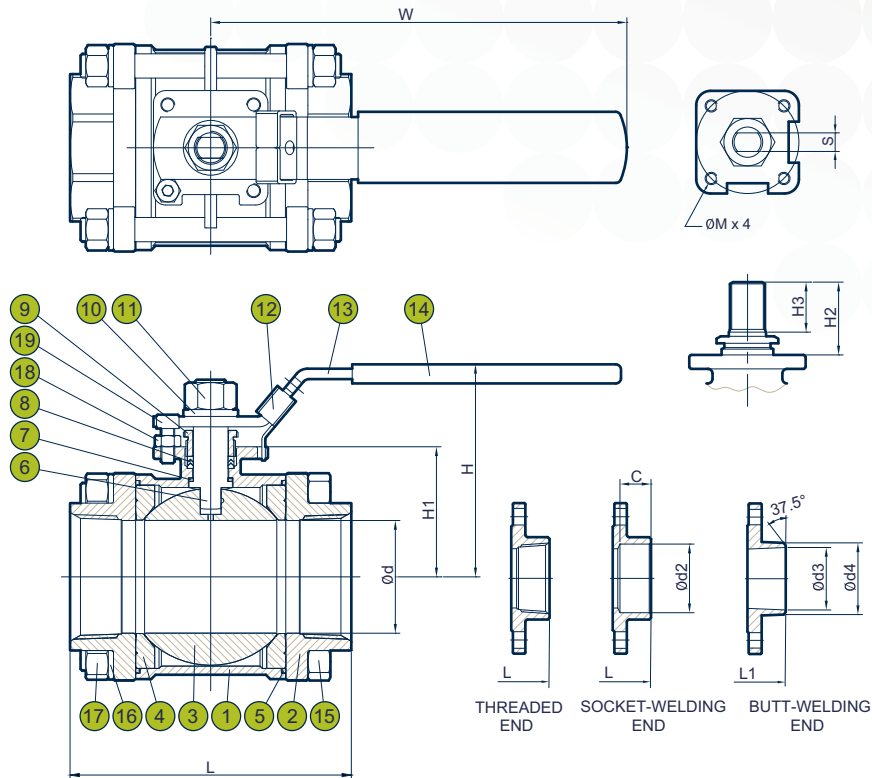
Valve Body Rating with Seat Material Plot:





NO	PART NAME	MATERIAL
1	BODY	CF8M / CF3M / WCB
2	END CAP	CF8M / CF3M / WCB
3	BALL	CF8M
4	BALL SEAT	PTFE
5	BODY SEAL	PTFE
6	STEM	SS 316
7	THRUST WASHER	PTFE
8	STEM PACKING	PTFE
9	GLAND NUT	SS 304
10	HANDLE WASHER	SS 304

NO	PART NAME	MATERIAL
11	HANDLE NUT	SS 304
12	LOCKING DEVICE	SS 304
13	HANDLE	SS 304
14	HANDLE SLEEVE	VINYL
15	BODY BOLT	SS 304
16	BOLT WASHER	SS 304
17	BOLT NUT	SS 304
18	STOP PIN NUT	SS 304
19	STOP PIN BOLT	SS 304



Dimensions **inch/mm**

SIZE Inch DN	d	L	L1	H	W	H1	H2	H3	S	C	d2	d3	d4	M	Cv Kv	Torque in-lbs NM	ISO 5211
1/4" 8	0.44 11.2	2.36 60	2.36 60	2.56 65	4.92 125	0.93 23.5	0.59 15	0.39 10	0.20 5	0.51 13	0.56 14.3	0.37 9.4	0.71 18	M5	4 3.4	50 5.6	F03
3/8" 10	0.50 12.6	2.36 60	2.36 60	2.56 65	4.92 125	0.93 23.5	0.59 15	0.39 10	0.20 5	0.51 13	0.70 17.7	0.50 12.6	0.71 18	M5	10 8.6	50 5.6	F03
1/2" 15	0.59 15	2.95 75	2.95 75	2.76 70	4.92 125	1.11 28.2	0.64 16.3	0.45 11.5	0.20 5	0.63 16	0.87 22	0.63 16	0.91 23	M5	13 11	65 7.3	F03
3/4" 20	0.79 20	3.03 77	3.03 77	2.83 72	5.91 150	1.22 31	0.65 16.5	0.45 11.5	0.25 6.4	0.63 16	1.08 27.5	0.84 21.4	1.11 28.3	M5	49 42	87 9.8	F03
1" 25	0.98 25	3.35 85	3.35 85	3.19 81	6.30 160	1.46 37.2	0.87 22.1	0.60 15.3	0.31 8	0.67 17	1.35 34.3	1.07 27.2	1.35 34.2	M5	92 92	144 16	F04
1 1/4" 32	1.26 32	4.09 104	4.09 104	3.31 84	6.30 160	1.65 42	0.87 22.1	0.60 15.3	0.31 8	0.79 20	1.69 43	1.40 35.5	1.70 43.2	M5	79 124	174 20	F04
1 1/2" 40	1.50 38	4.72 120	4.72 120	3.94 100	6.69 170	1.95 49.5	1.01 25.6	0.68 17.3	0.33 8.5	0.79 20	1.93 49	1.62 41.2	1.94 49.3	M6	145 249	218 25	F05
2" 50	1.97 50	5.12 130	5.12 130	4.29 109	6.69 170	2.20 56	1.08 27.4	0.68 17.3	0.33 8.5	0.87 22	2.42 61.4	2.07 52.7	2.41 61.3	M6	213 449	306 35	F05
2 1/2" 65	2.56 65	6.42 163	6.42 163	5.31 135	9.25 235	2.95 75	1.54 39.2	1.07 27.2	0.47 12	0.94 24	3.04 77.2	2.57 65.3	3.05 77.4	M8	384 550	550 62	F07
3" 80	2.99 76	7.17 182	7.32 186	5.63 143	9.25 235	3.30 83.8	1.50 38.2	1.07 27.2	0.47 12	1.14 29	3.54 90	3.07 78.1	3.66 93	M8	470 750	712 80	F07
4" 100	3.94 100	8.98 228	9.06 230	7.17 182	11.02 280	4.53 115	1.95 49.5	1.38 35	0.63 16	1.46 37	4.54 115.4	4.03 102.3	4.57 116.2	M10	641 1300	1220 138	F10

Note: Torque measured at ambient temperature with no loading ; safety factor is not included. Select size(s) may be under development, please consult with us for details.

Optional Accessories

Locking Devices

Locking devices are available for ball valve. By lifting the locking device, the valve handle is free to move. DIE ERSTE also offers extra key pad lock, in which the original locking devices will be kept in locking/unlocking position securely to prevent unexpected accident.

Oval Handle

DIE ERSTE offers oval handle for Series 32 ball valves. The oval handles are used where the standard hand levers could be opened or closed by accident. The oval handle also allows user to identify the valve position. Lastly, it also slows down the valve closing speed, which decrease the chances of water hammer on liquid.

How to order

VALVE TYPE	PORT	BODY MATERIAL	SEAT	TRIM	TYPE OF CONNECTION	PRESSURE RATING	SPECIAL REQUEST	SIZE OF CONNECTION	OTHER
A	B	C	D	E	F	G	H	I	J



Taiwan
5F-1, No. 936,
Sec.4, Wen-Xin Road,
Taichung 406, Taiwan
T +886 (4) 2231 0059
F +886 (4) 2236 0236

Shanghai
Rm. 1803-A, No.
678, Gu-Bei Rd.,
Shanghai, China
T +86 (21) 5777 3810
F +86 (21) 5777 3819

DIE ERSTE INDUSTRY CO., LTD.
www.die-erste.com | sales@die-erste.com

Copyright © 2020 by DIE ERSTE INDUSTRY CO., LTD. Series 32 V4.3

Due to continuous development of the products, DIE ERSTE reserves the right to alter the dimension and information contained in the document as required. For specific performance data and proper material selection, please consult with your DIE ERSTE representatives