



Non-return valves RSK

STRATE non-return valves -RSK-

- Are recognised all over the world for demanding applications in the pumping of fresh water, service water, effluent and sludge
- Make maximum operational safety possible
- Stand out thanks to their excellent value-for-money and low maintenance requirements
- Offer as a technically mature design:
 - Low flow resistance
 - Quiet operation
 - Minimum clogging tendency through free flow cross-section
 - Fail-safe closing of the valve disc even under high pressures
 - Particularly suitable for "heavy duty" applications, even where there is a risk of water hammer or pressure surges

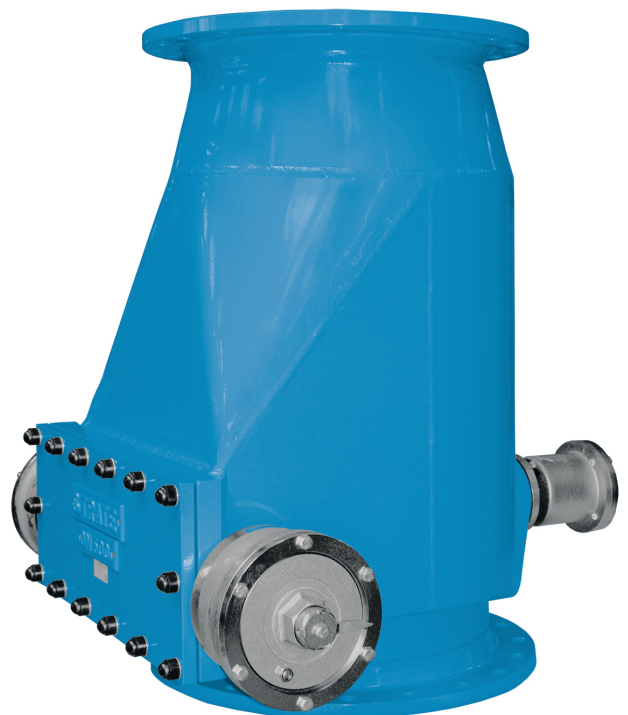
Areas of application

Thanks to their special design, STRATE RSK non-return valves are ideal for:

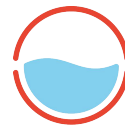
- Sewage technology, media with solids and coarse solids, sludge (up to 5 % TM)
- Fresh and service water technology, including in areas where high pressure losses make powerful pumps necessary
- Areas where the avoidance of water hammer is very important: In these cases it is necessary to extend the standard valve RSK by the additional component STRATE spring loading (RSK-FT or RSK-FTU).

- Areas where pressure surges are to be expected. In such application cases, it is necessary to extend the standard valve RSK by the additional components STRATE spring loading (RSK-FT or RSK-FTU) and STRATE surge damping valve (RSK-UD or RSK-FTUD)

STRATE project engineers will be happy to answer any questions you or your planning office may have related to the selection of the suitable STRATE non-return valve system or other matters.



STRATE non-return valve RSK-FTUD



Non-return valves RSK

Technical data and materials

- Dimensions and weights can be found in the enclosed dimensional sheet
- Face-to-face dimensions in accordance with DIN 3202
- DN50 to DN400:
Operating pressure max. 10 bar (PN10) Housing made of EN-GJL-250 (GG 25) Flanges in accordance with DIN 2532, PN10
Coating/corrosion protection: Acrylic combination paint, RAL 5015 blue
- DN500 to DN1000:
Operating pressure max. 6 bar (PN6) Housing made of RSt 37.2 (welded)
Seat ring made of chrome-nickel-steel Flanges in accordance with DIN 2632, PN10
Coating/corrosion protection: 2-component coating on epoxy resin basis, RAL 5015 blue
- Closing elements of the RSK non-return valves made of butyl rubber B100, in FT version from Perbunan (60 Shore) with vulcanised steel disc; temperature-resistant from -35°C to +120°C

- Depending on the application case:
 - other elastic materials such as Perbunan, Viton, silicone etc. can be used to make operating temperatures from -35°C to +230°C possible
 - other coating systems such as plastic (electrostatic plastic coating), chemical nickel-plating or special coatings can be used
 - other special versions can be made e.g. housing in special material, different pressure grades etc.

Flow speed and installation position

- Pumping of liquid media with flow speeds up to 2.5 + 0.5 m/s (RSK or RSK-U)
- Pumping of liquid media with flow speeds from 2.0 to 6.0 m/s (RSK-FTU or FTUD)
- Vertical installation position – upward direction of flow
- Horizontal installation position – inspection cover at the top; recommended installation position where there is a high solids share (e.g. sand, gravel, stones)

Description

The unsurpassed reliability and service life of the STRATE RSK non-return valves are the result of years of product observation and the development of specific variants such as FT, UD and FTUD. The closing element with its vulcanised closing plate is the moving part in the STRATE RSK. The closing element is screwed to the housing (RSK or RSK-U) and easily accessible under the inspection cover for ease of replacement. The exactly fitting valve seat which guarantees maximum airtightness even at low pressures is a special advantage. If maintenance is necessary, user-friendly draining can be carried out via a bypass fitted with a shut-off valve (RSK-U).

STRATE spring loading FT

STRATE spring loading reduces or prevents water hammer and reduces pressure surges. The spring loading makes the valve close more quickly and can be externally adjusted to exactly match the operating conditions. The spring is mounted on the outside of the RSK valve housing and does not come into contact with the pumped medium. Free of any effects of bearing resistance, the spring reacts directly to fluctuations in pressure or changes in flow speed in the pressure pipe. An indicator visible from the outside allows valve position to be checked.

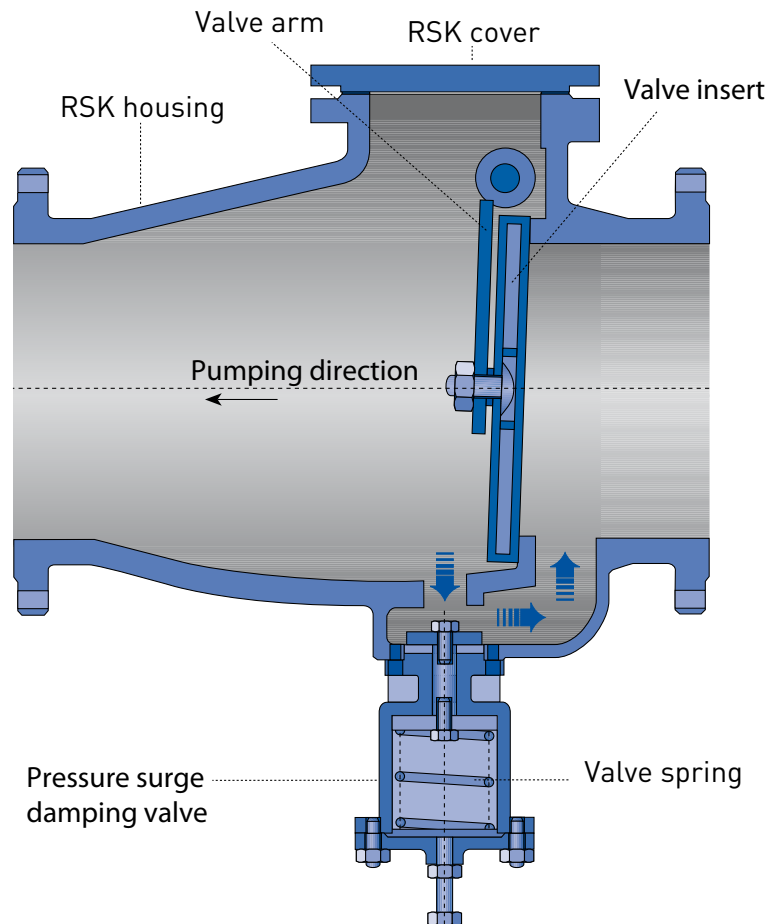
Non-return valves RSK

STRATE UD surge damping valve

The STRATE surge damping valve reduces pressure surges near the non-return valve and prevents harm to the pumps and the pressure pipe system.

STRATE spring loading and pressure surge damping valve FTUD. The combination of spring loading and pressure surge damping allows optimum setting of the non-return valve even under the most difficult of conditions.

STRATE Technologie für Abwasser GmbH has published a special brochure dealing with how these valves work and providing more information on the complex subject of "Pressure surges" which can be provided on request (see the Download Centre at www.strate.com as well).



The perfect non-return valve for your special needs

- Can be selected after consultation with us, please return the project planning sheet to us by e-mail, fax or post for this purpose.

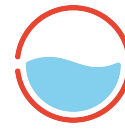
STRATE project engineers will be happy to answer any questions you or your planning office may have related to the selection of the suitable STRATE non-return valves or other matters.



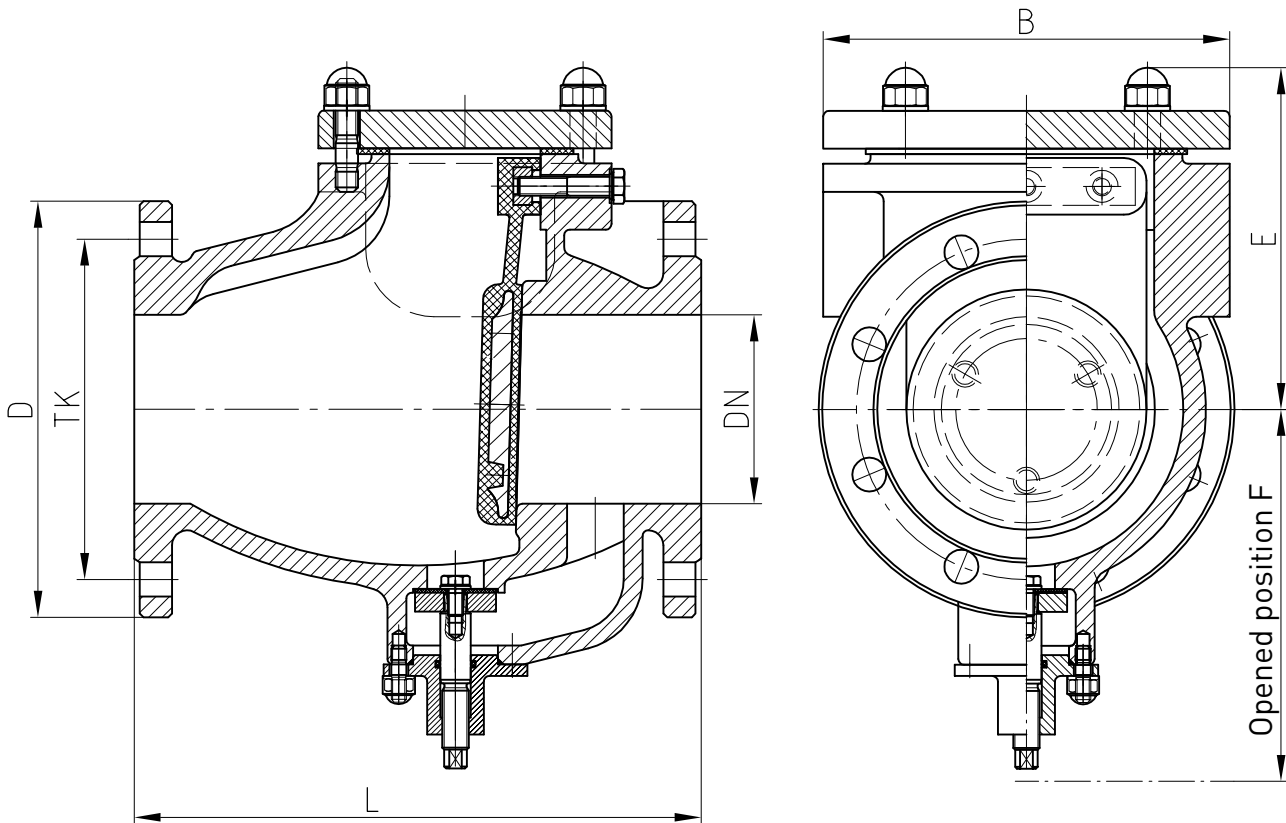
You will find your project planning sheet in this catalogue under "Project planning aids".



You can also find an online version in our download centre!
www.strate.com



Non-return valves RSK

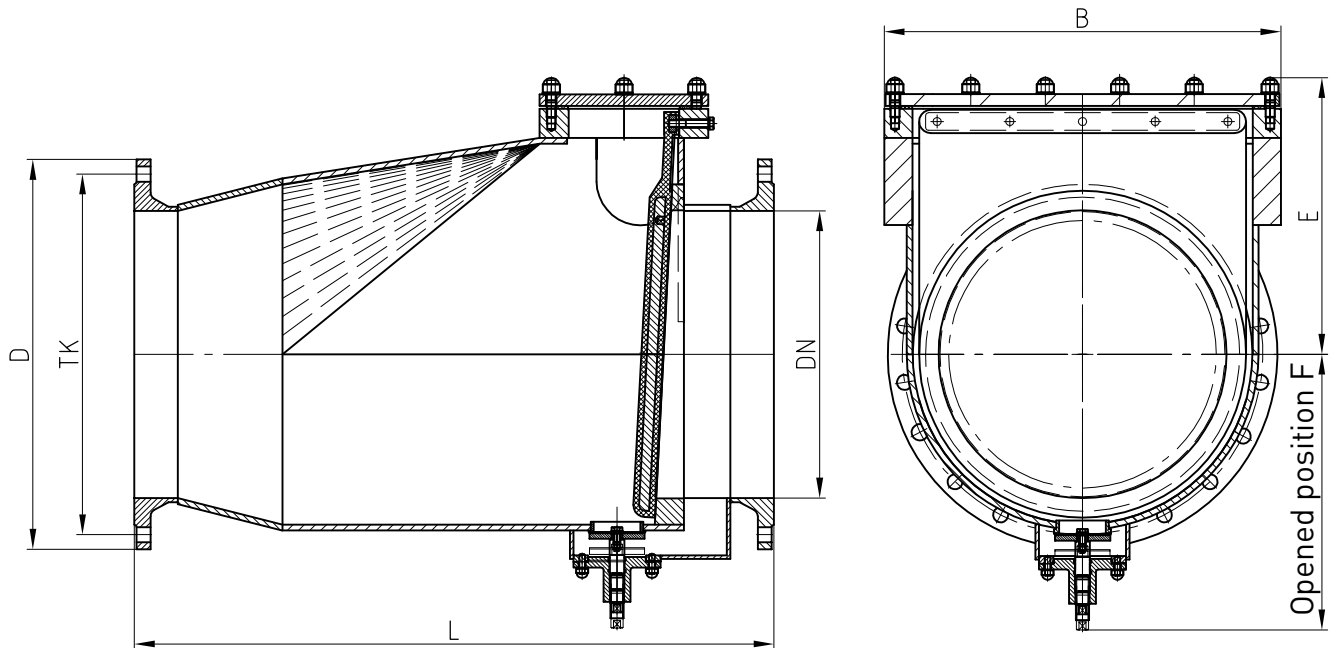


DN	Dimensions in mm						Weight
	L	B	E	TK	D	F	kg
100	300	225	180	180	220	210	33.0
125	350	240	200	210	250	225	42.0
150	400	275	230	240	285	260	57.0
200	500	350	285	295	340	290	120.0
250	600	415	310	350	395	375	178.0
300	700	465	345	400	445	385	260.0
350	800	520	370	460	505	450	317.0

Copyright according to DIN 34	Sample drawing: RSK-U
Scale:	

Subject to technical modifications and errors.

Non-return valves RSK

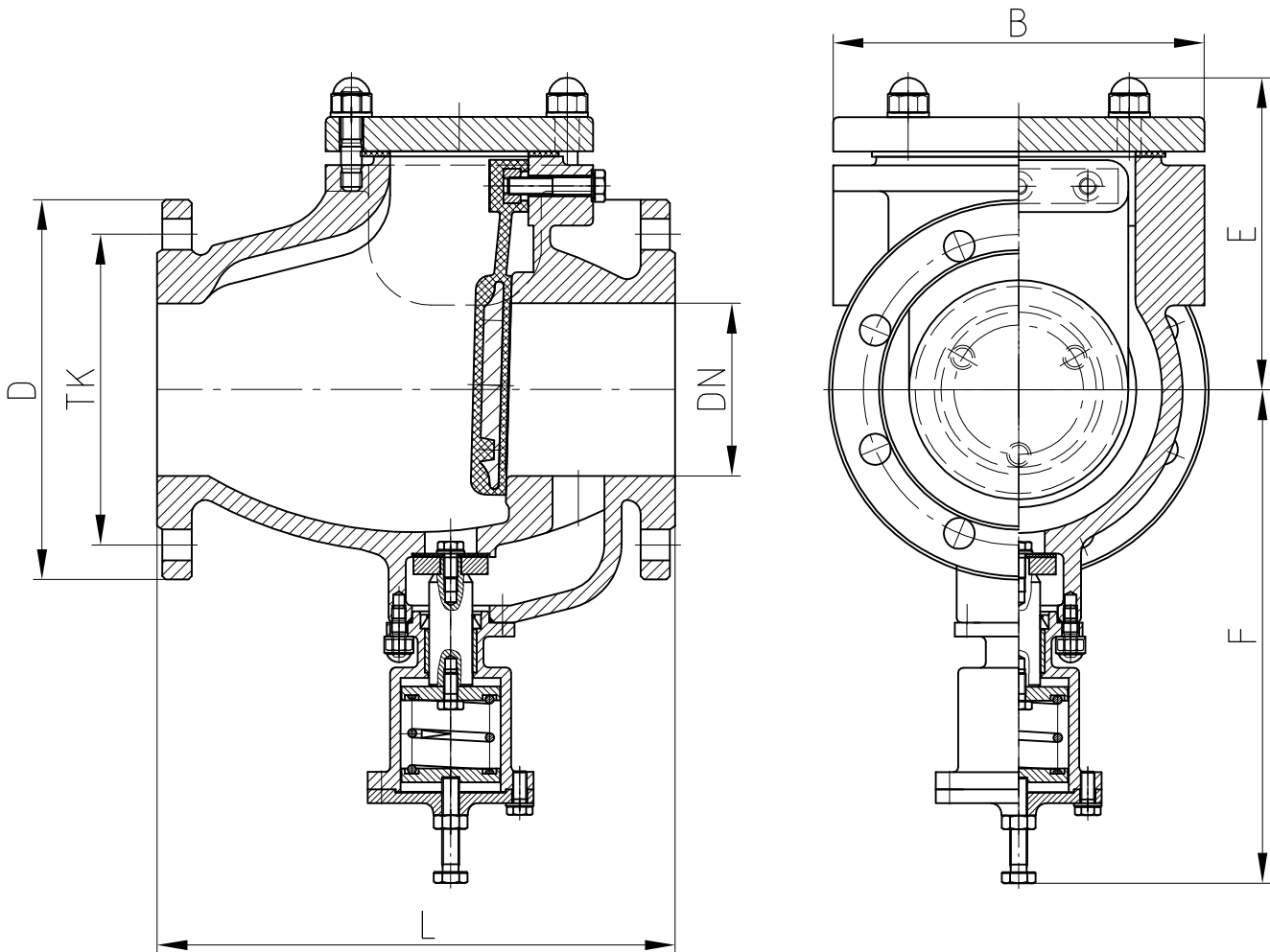


DN	Dimensions in mm					Weight	
	L	B	E	TK	D	F	kg
400	900	570	405	515	565	420	300.0
500	1100	685	475	620	670	475	390.0
600	1300	775	535	725	780	520	505.0
700	1500	900	595	840	895	575	715.0
800	1700	1015	665	950	1015	620	1000.0

Copyright according to DIN 34	Sample drawing: RSK-U
Scale:	

Subject to technical modifications and errors.

Non-return valves RSK

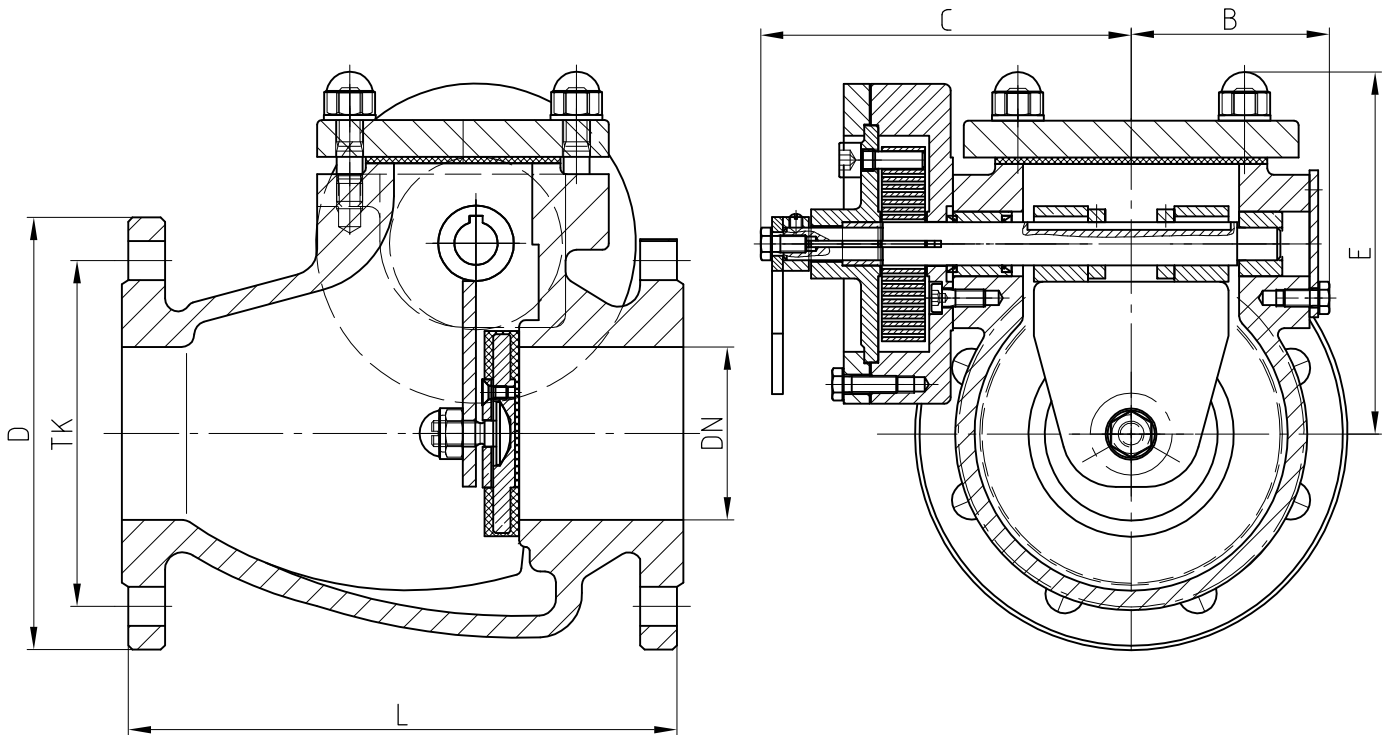


Dimensions in mm							Weight
DN	L	B	E	TK	D	F	g
100	300	225	180	180	220	290	33.0
125	350	240	200	210	250	305	42.0
150	400	275	230	240	285	335	57.0
200	500	350	285	295	340	360	120.0
250	600	415	300	350	395	500	178.0
300	700	465	355	400	445	535	260.0
350	800	520	350	430	505	560	317.0

Copyright according to DIN 34	Sample drawing: RSK-UD
Scale:	

Subject to technical modifications and errors.

Non-return valves RSK



Dimensions in mm							Weight
DN	L	B	C	TK	D	E	kg
80	260	95	170	160	200	155	30.0

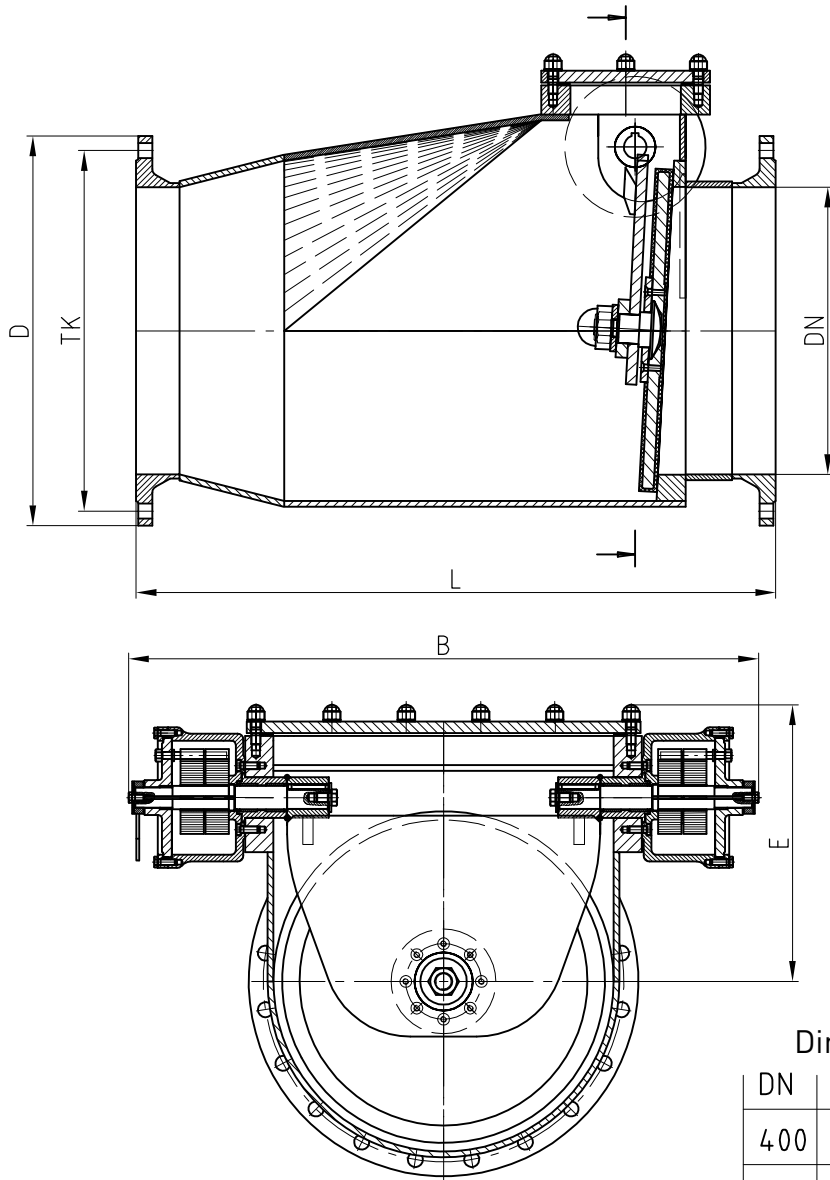
Standard version: Spring housing on the right in direction of flow.
(Can be on the left on request.)

Copyright according to DIN 34	Sample drawing: RSK-FT
Scale:	

Subject to technical modifications and errors.



Non-return valves RSK

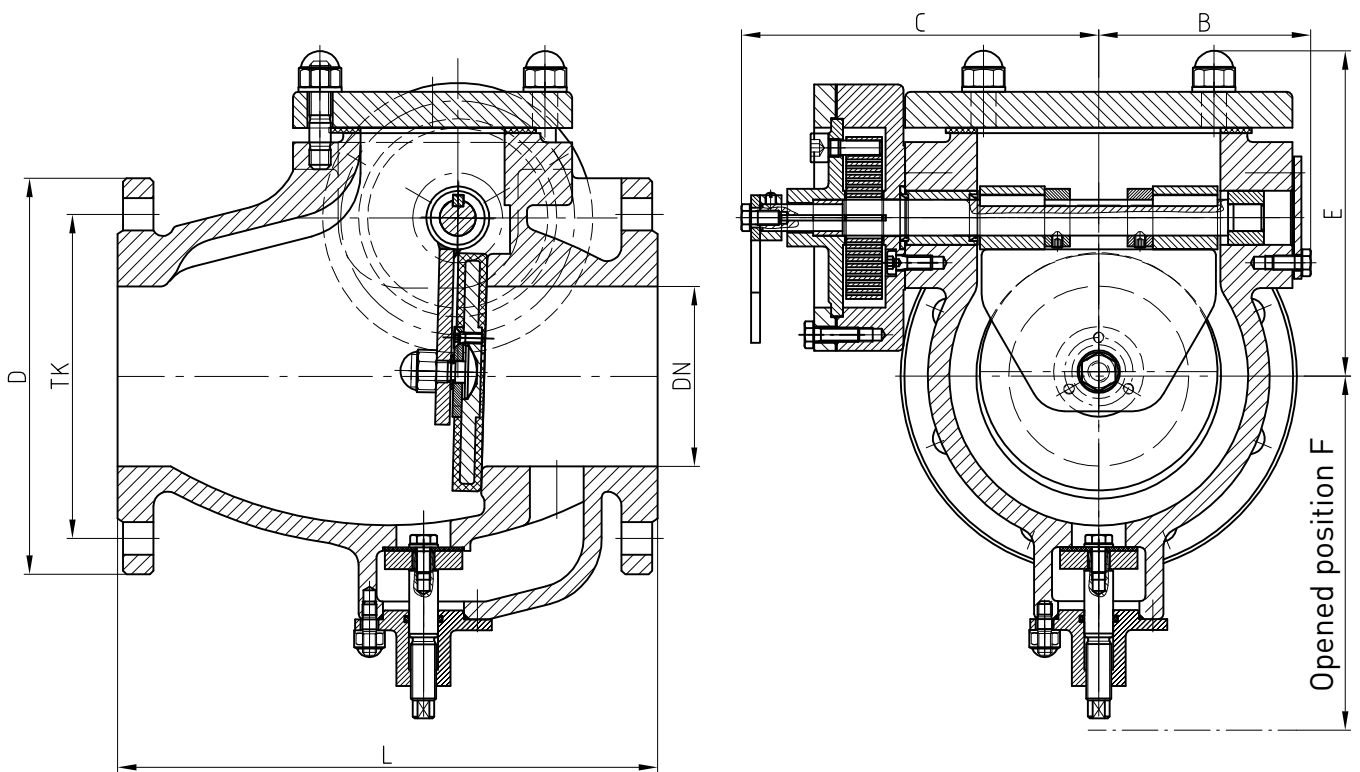


Dimensions in mm						Weight
DN	L	B	E	TK	D	kg
400	900	730	405	515	565	310.0
500	1100	840	475	620	670	420.0
600	1300	930	535	725	780	530.0
700	1500	1100	595	840	895	740.0
800	1700	1310	665	950	1015	1025.0

Copyright according to DIN 34	Sample drawing: RSK-FT
Scale:	

Subject to technical modifications and errors.

Non-return valves RSK



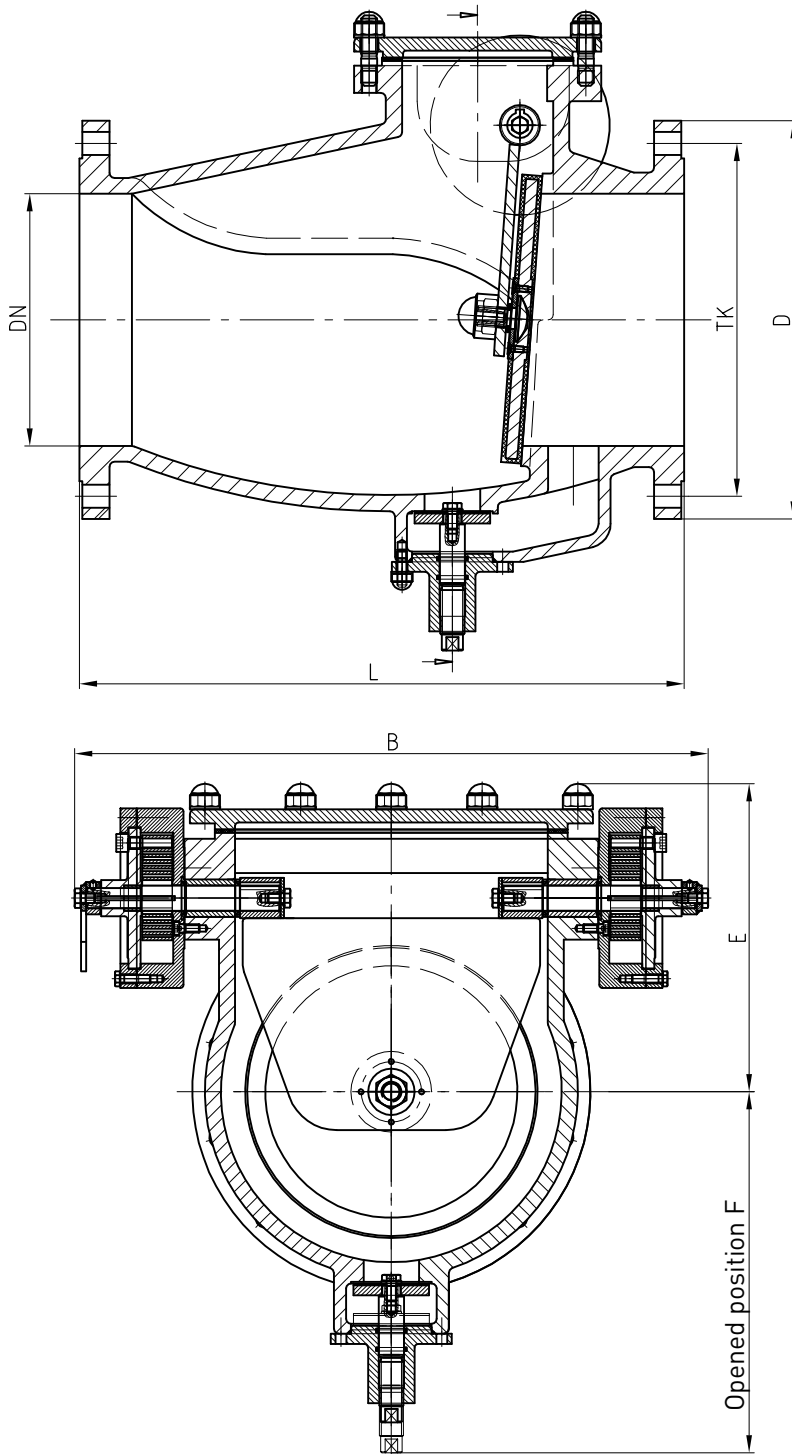
Dimensions in mm								Weight
DN	L	B	C	TK	D	E	F	kg
100	300	118	200	180	220	180	210	42.6
125	350	125	205	210	250	200	225	55.6
150	400	145	230	240	285	230	260	68.6
200	500	182	280	295	340	285	290	131.0

Standard version:
Spring housing on the right in direction of flow.
(Can be on the left on request.)

Copyright according to DIN 34	Sample drawing: RSK-FTU
Scale:	

Subject to technical modifications and errors.

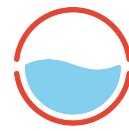
Non-return valves RSK



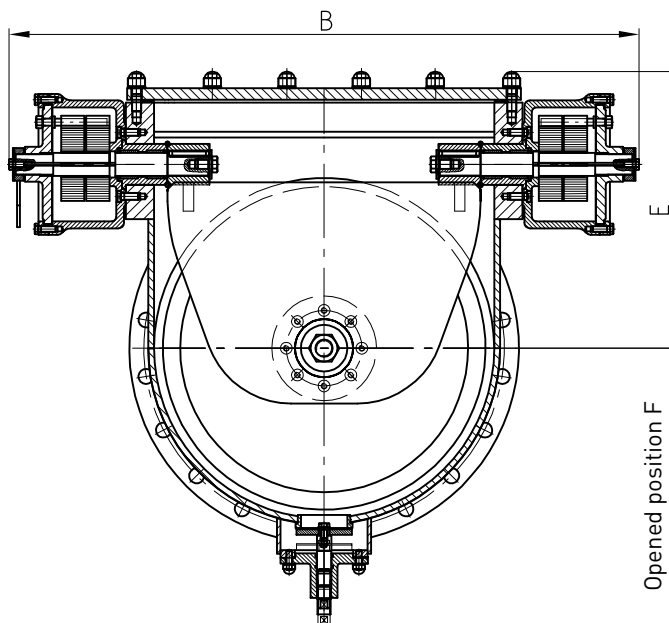
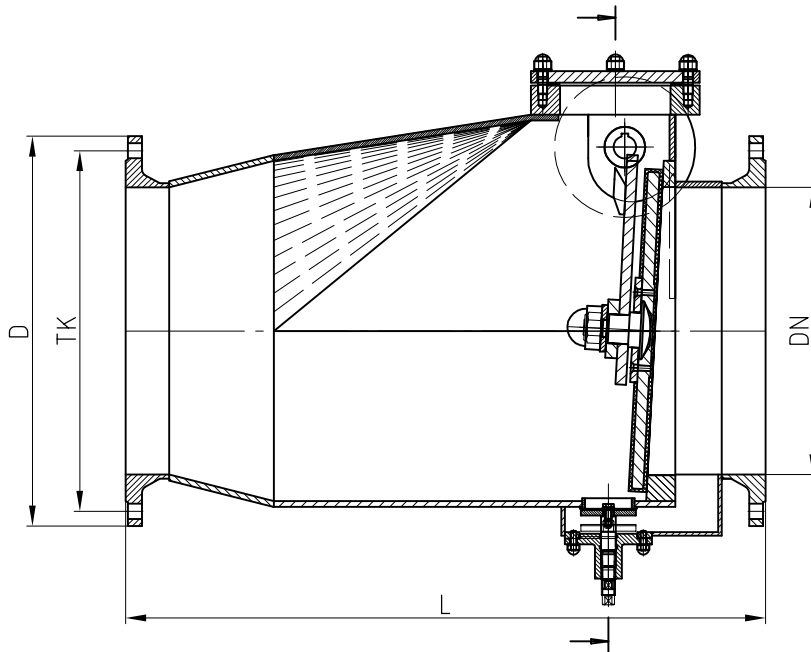
DN	Dimensions in mm						Weight kg
	L	B	TK	D	E	F	
250	600	630	350	395	310	360	185.5
300	700	710	400	445	345	390	280.5
350	800	766	460	505	370	405	352.5

Copyright according to DIN 34	Sample drawing: RSK-FTU
Scale:	

Subject to technical modifications and errors.



Non-return valves RSK

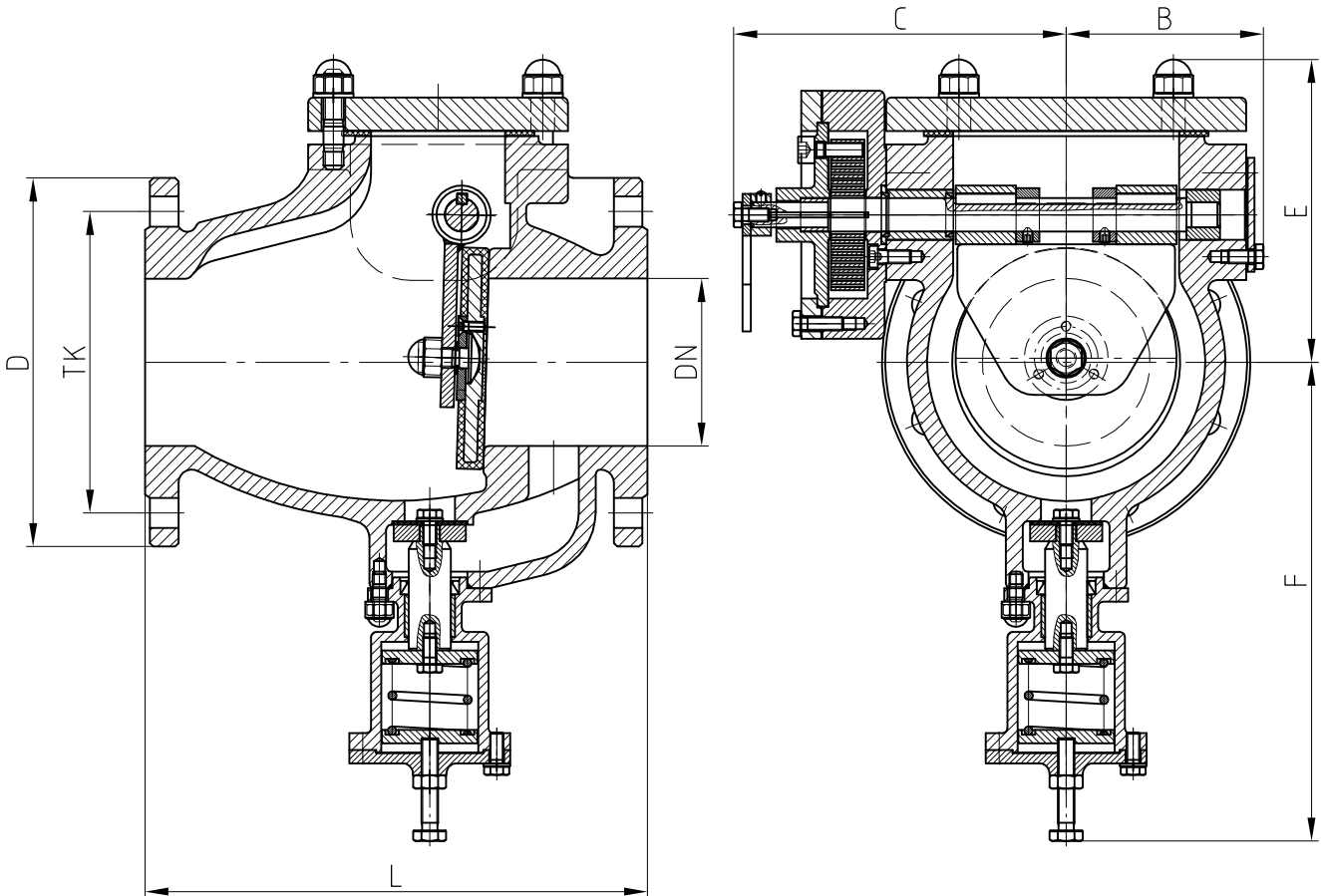


DN	Dimensions in mm						Weight kg
	L	B	E	TK	D	F	
400	900	730	405	515	565	420	313.5
500	1100	840	475	620	670	475	423.5
600	1300	930	535	725	780	520	533.5
700	1500	1100	595	840	895	575	743.5
800	1700	1310	665	950	1015	620	1028.5

Copyright according to DIN 34	Sample drawing: RSK-FTU
Scale:	

Subject to technical modifications and errors.

Non-return valves RSK

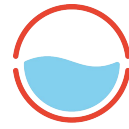


Dimensions in mm								Weight
DN	L	B	C	TK	D	E	F	kg
100	300	118	200	180	220	180	290	44.5
125	350	125	205	210	250	200	305	57.5
150	400	145	230	240	285	230	335	70.5
200	500	182	280	295	340	285	360	132.5

Standard version:
Spring housing on the right in direction of flow.
(Can be on the left on request.)

Copyright according to DIN 34	Sample drawing: RSK-FTUD
Scale:	

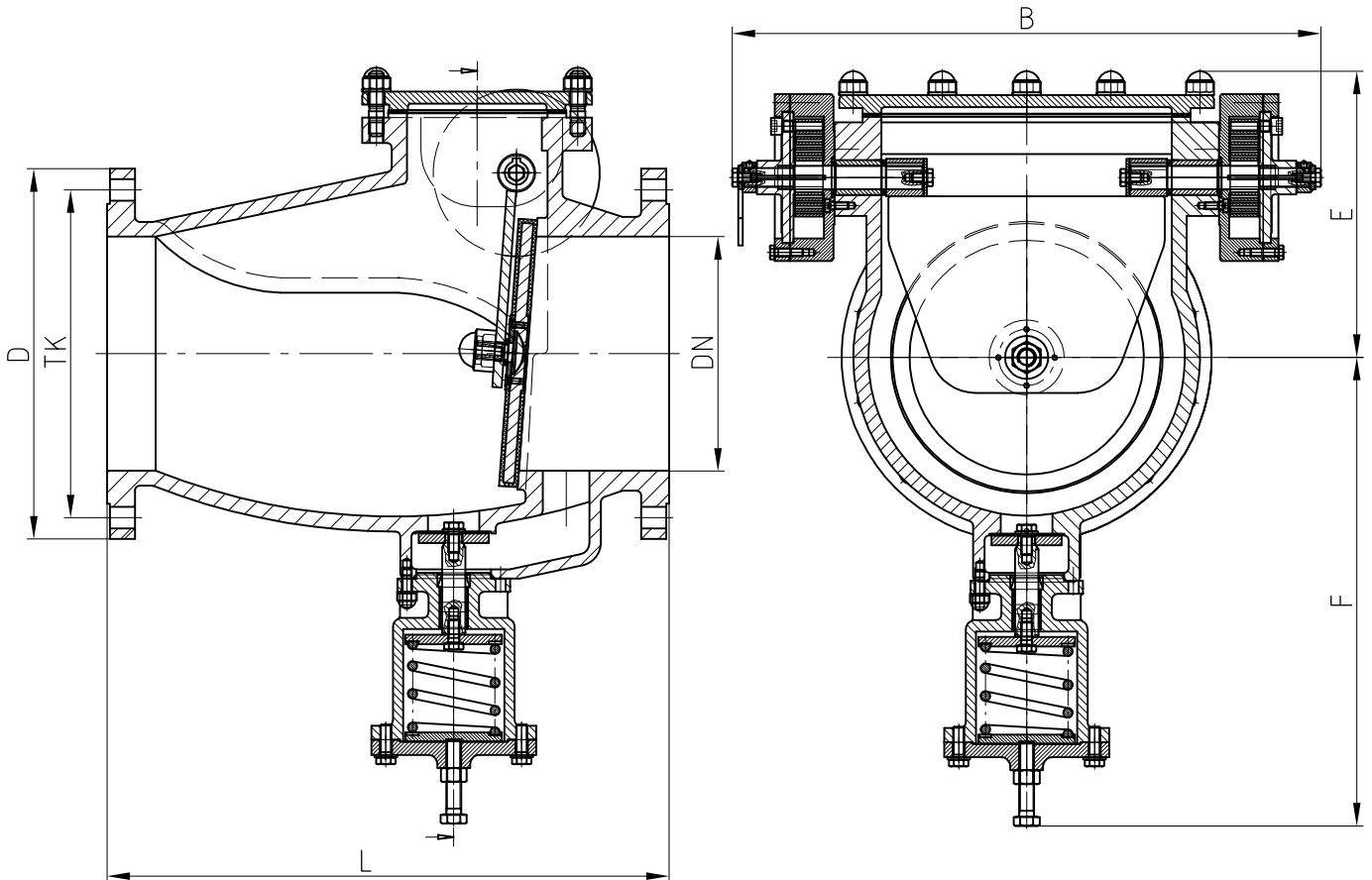
Subject to technical modifications and errors.



CTDATE
STRATE

MEMBER OF DUEKER GROUP.

Non-return valves RSK

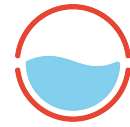


Dimensions in mm							Weight
DN	L	B	TK	D	E	F	kg
250	600	630	295	340	310	500	196.5
300	700	710	400	445	345	535	291.5
350	800	766	460	505	390	560	363.5

Copyright according to DIN 34	Sample drawing: RSK-FTUD
Scale:	

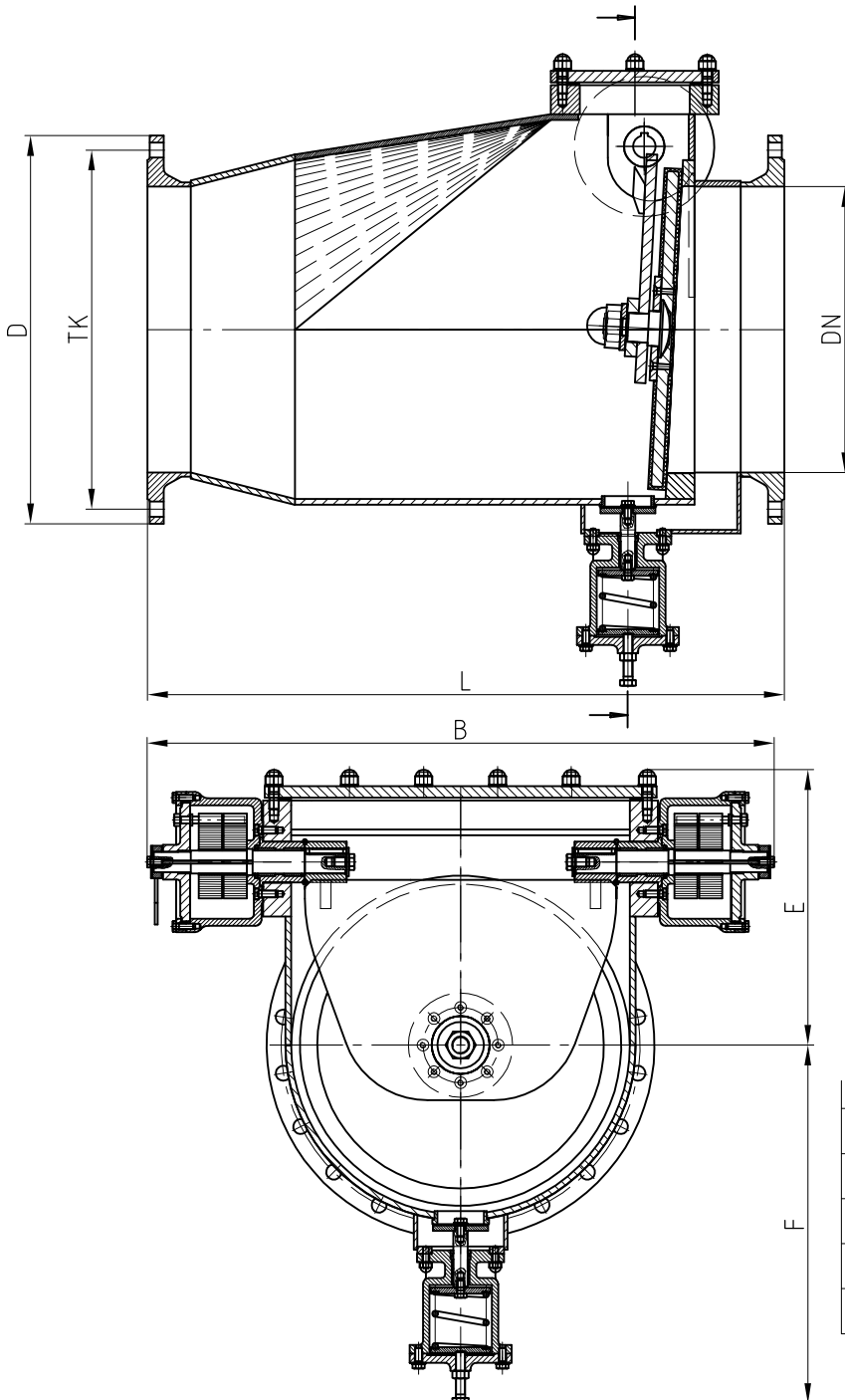
Subject to technical modifications and errors.

Non-return valves RSK



STRATE
JIRATE

MEMBER OF DUEKER GROUP.



DN	Dimensions in mm						Weight kg
	L	B	E	TK	D	F	
400	900	900	405	515	565	565	325.0
500	1100	1090	475	620	670	620	435.0
600	1300	1180	535	725	780	665	545.0
700	1500	1300	595	840	895	720	755.0
800	1700	1420	665	950	1015	765	1040.5

Copyright according to DIN 34	Sample drawing: RSK-FTUD
Scale:	

Subject to technical modifications and errors.