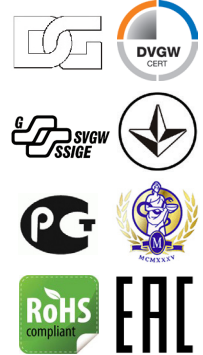
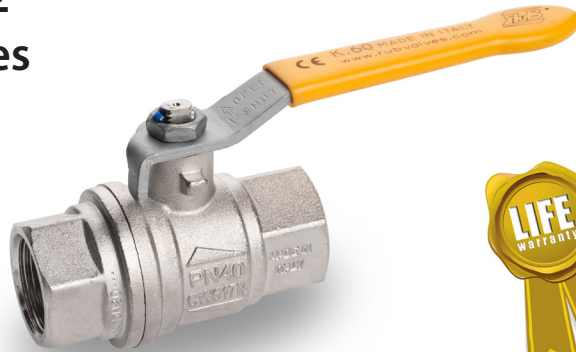


k.60

heavy duty full port 1/4"-2" hot forged brass ball valves



Quality:

- 24h 100% seal test guaranteed
- Dual sealing system allows valve to be operated in either direction making installation easier
- No metal-to-metal moving parts
- No maintenance ever required
- Handle clearly shows ball position
- Silicone-free lubricant on all seals
- Chrome plated brass ball for longer life
- Handle stops on body to avoid stresses at stem

Body:

- Hot forged sand blasted, nickel plated brass body and cap sealed with Loctite® or equivalent thread sealant
- Valve length according to DIN 3202 M3 specification
- Finest brass according to EN 12165 and EN 12164 (formerly DIN 17660 and UNI 5705-65) specifications

Stem:

- Blowout-proof nickel plated brass stem
- Two FPM O-rings at the stem for maximum safety

Sealing:

- Pure PTFE self-lubricating seats with flexible-lip design

PED Directives:

- Assessment according to Pressure Equipment Directive 2014/68/UE module B+D by Pascal (1115)



Threads:

- EN 10226-1, ISO 228 parallel female by female threads

Flow:

- 100% Full port for maximum flow

Handle:

- Geomet® carbon steel handle with thick PVC dip coating. Handle coating offers both thermal and electrical protection

Working Pressure and Working Temperature:

- 65 Bar (940 PSI) up to 1/2"; 40 Bar (600 PSI) over 1/2" non-shock cold working pressure
- -40°C (-40°F) / +170°C (+350°F)
- For use with dangerous fluids temperature rating is -20°C +60°C and pressure rating is 5 Bar
- **WARNING:** freezing of the fluid in the installation may severely damage the valve

Options:

- Stem extension
- T-handle
- Oval lockable handle
- AISI 430 stainless steel handle
- Patented locking device

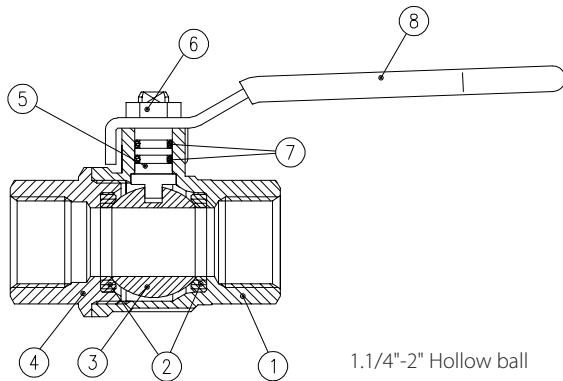
Upon Request:

- AISI 316 stainless steel ball
- Glass filled PTFE seals
- Custom design

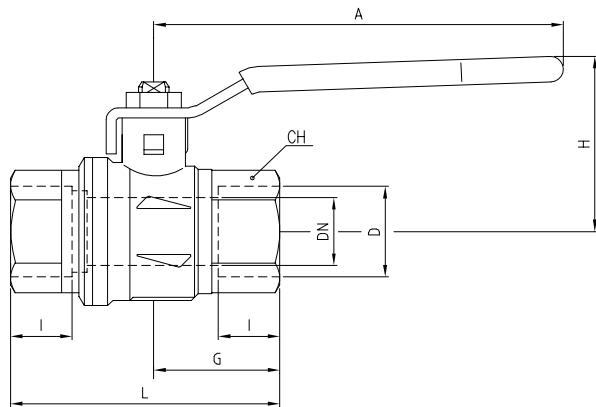
Approved by or in compliance with:

- Danmarks Gasmateriel Provning (Denmark)
- DVGW (Deutschland)
- SVGW (Swiss)
- GOST-R (Russia)
- Hygiene and epidemic center in Moscow city (Russia)
- UkrSepro (Ukraine)
- RoHS Compliant (EU)
- EAC - Declaration of conformity (Russia-Kazakhstan-Belarus)

NOTE: Approvals apply to specific configurations/sizes only.



Part description	Q.ty	Material
1	1	CW617N
2	2	PTFE
3	1	CW617N
4	1	CW617N
5	1	CW617N
6	1	CB4FF
7	2	FPM
8	1	DD11

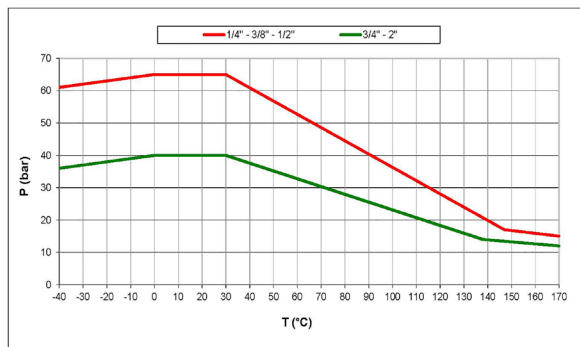


Code	S60B05	S60C05	S60D05	S60E05	S60F05	S60G05	S60H05	S60I05
D (inch)	1/4	3/8	1/2	3/4	1	1 1/4	1 1/2	2
DN (mm)	8	10	15	20	25	32	40	50
I (mm)	12.5	12.5	15.5	18	21	23	24.5	26.5
L (mm)	50	60	75	80	90	110	120	140
G (mm)	25.5	25.5	30.5	37	45.5	52	59	67.5
A (mm)	82	82	100	120	120	158	158	158
H (mm)	40	40	43	51.5	55.5	75	81	88.5
CH (mm)	22	22	27	32	41	50	55	70
PN (bar)	65	65	65	40	40	40	40	40

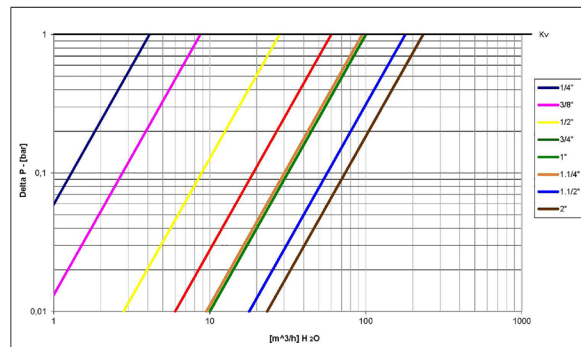
Ball valves are marked CE on handle from 1.1/4" to 2" as follow: CE 1115 cat IIIB+D PS: 5 GAS TS1: -20°C TS2: +60°C

Ask for additional information on the whole range of **RuB** valves and consult with your supplier for special applications.

Pressure-Temperature Chart



Pressure Drop Chart



RuB endeavors to provide comprehensive information about the installation, maintenance and operation of its products. For more details or clarification, please contact us. **RuB** reserves the right to change or modify product design, construction, specifications, materials or the information herein without prior notice and without incurring any obligation to make such changes and modifications on **RuB** products previously or subsequently sold. Content of this document is proprietary to **RuB** and it may not be copied in part or in whole without prior written authorization from **RuB**. Recommendations on application design and material selection are based on available technical data and are offered as suggestions only. Pressure and temperature ranges are for generic use of the products. Each user should make his/her own tests to determine the suitability for his/her own particular use. **RuB** offers no express or implied warranties concerning the form, fit, or function of a product in any application. **RuB** does not accept liability for errors or omissions. Any undated reference to a code or standard shall be interpreted as referring to the latest edition. **RuB** and logo are registered trademarks of **Rubinerterie utensilerie BONOMI srl**. Other logos are property of respective owners. XCEK60 - Rev: 3723